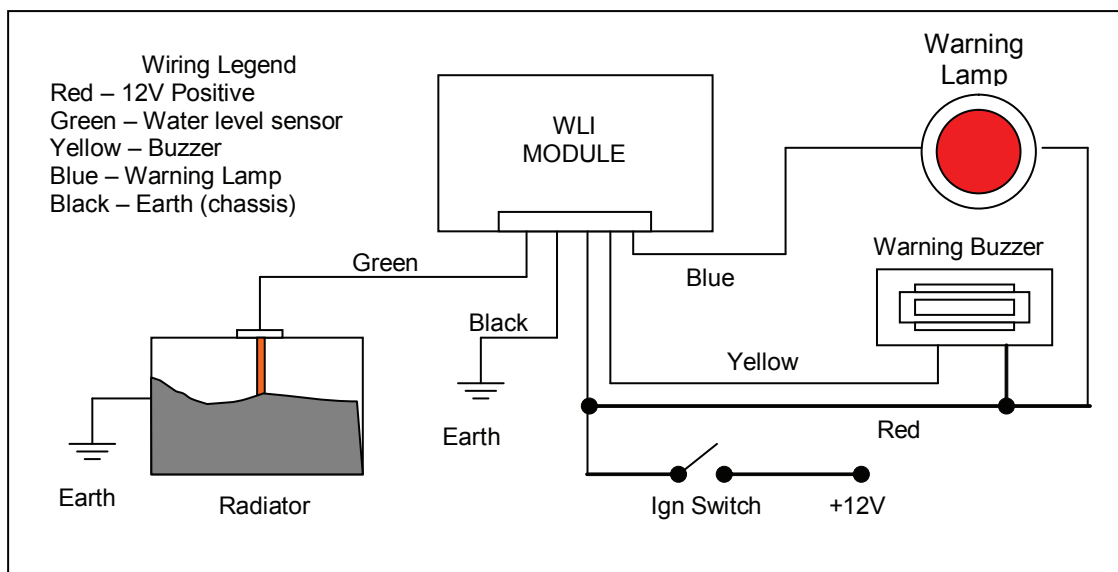


**Note:**

1. When fitting unit to a radiator with plastic header tank or where radiators are rubber mounted ensure that an earth is provided to the core. A separate probe can be installed for the earth if required.
2. Use in applications with water based fluids only. The indicator units are not suitable for use with oil or petroleum products.
3. If using unit in conjunction with a relay e.g. for connection to a fuel cutoff system or vehicle horn, we recommend the use of a 12V 40A mini relay.



**Operation**

1. Warning lamp illuminates momentarily when the ignition is switched on so as to indicate the system is functional.
2. Lamp will re-illuminate as an initial warning if the coolant in the tank drops below the level of the probe.
3. After a time lapse of 4 seconds, if the coolant remains below the level of the probe, the buzzer (or cut off relay) will be activated.

**Warning:** If the buzzer is activated coolant levels should be checked as soon as possible. Failure to respond may result in engine damage.

**Fitting Instructions for Low Water Probes**

**Probe Part No. 230 058** - Rod length = 55mm - Suits radiators with plastic header tanks.

**Probe Part No. 230 061** - Threaded black plastic assembly - Suits radiators with brass header tanks.

**Probe Part No. 230 059** - Rod length = 120mm.

**Part No. 230 059** is sold as an optional item and is available upon request.

**Probe Assembly Part No. 230 058, 230 059**

Take stainless steel rod and screw down neoprene seal. Fit in sequence, the fibre washer, large brass washer, one (1) of the 5.0mm nuts, terminal, spring washer and finally the last 5.0mm nut. Refer to diagram for illustration of assembly.

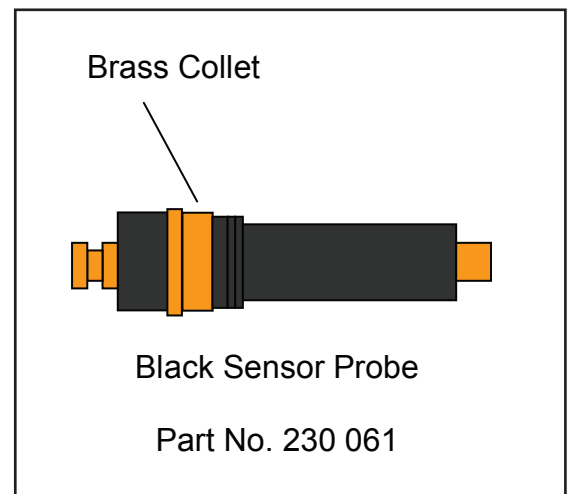
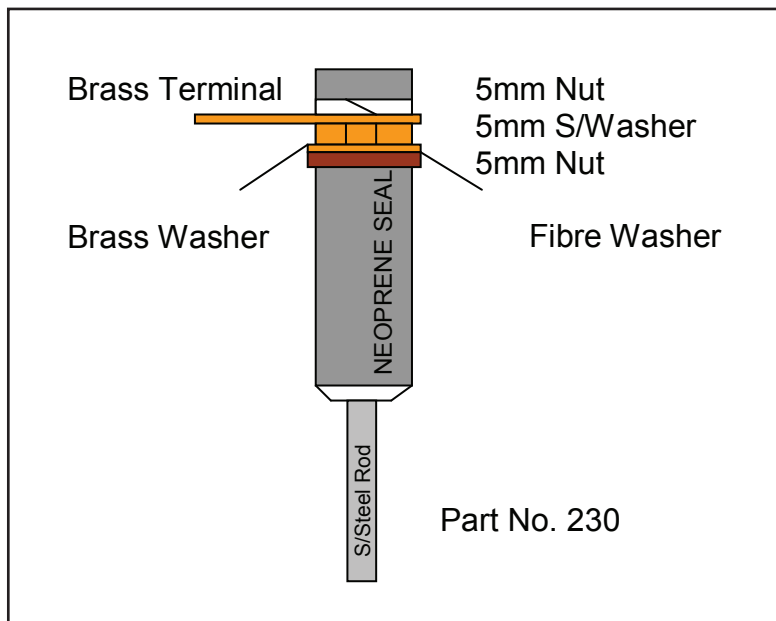
**Installation:**

1. Drill a hole of not less than 9.6mm and not more than 10.0mm diameter.
2. Insert probe into hole and tighten the bottom 5.0mm nut to expand neoprene seal against sides of the hole. As a guide, use 3 turns in 4.0mm wall thickness and 5-6 turns in 1.0mm wall thickness.
3. Wire in accordance to wiring instruction.

**Probe Assembly Part No. 230 061**

**Installation:**

1. Drill a 12.0mm hole in the brass header tank.
2. Place the brass collet in the hole and solder to tank.
3. Secure probe into the brass collet by rotating the probe in a clockwise action using a 13.0mm spanner. To create a water tight seal, ensure that the neck of the probe is hard up against the collet.
4. Wire in accordance to wiring instructions.



**Warranty Conditions:** Our products come with guarantees that cannot be excluded under the Australian Consumer Law.

The customer is entitled to a replacement or refund for a major failure and compensation for any other reasonably foreseeable loss or damage. The customer is also entitled to have the products repaired or replaced if the products fail to be of acceptable quality and the failure does not amount to a major failure.

GSL Electronics (GSL) warrants that its products will, under normal use and service, be free of defects in material and workmanship for a period of two (2) years from the date of the original purchase by the customer as marked on the customer's original invoice. Please refer to our website for full warranty and return information.